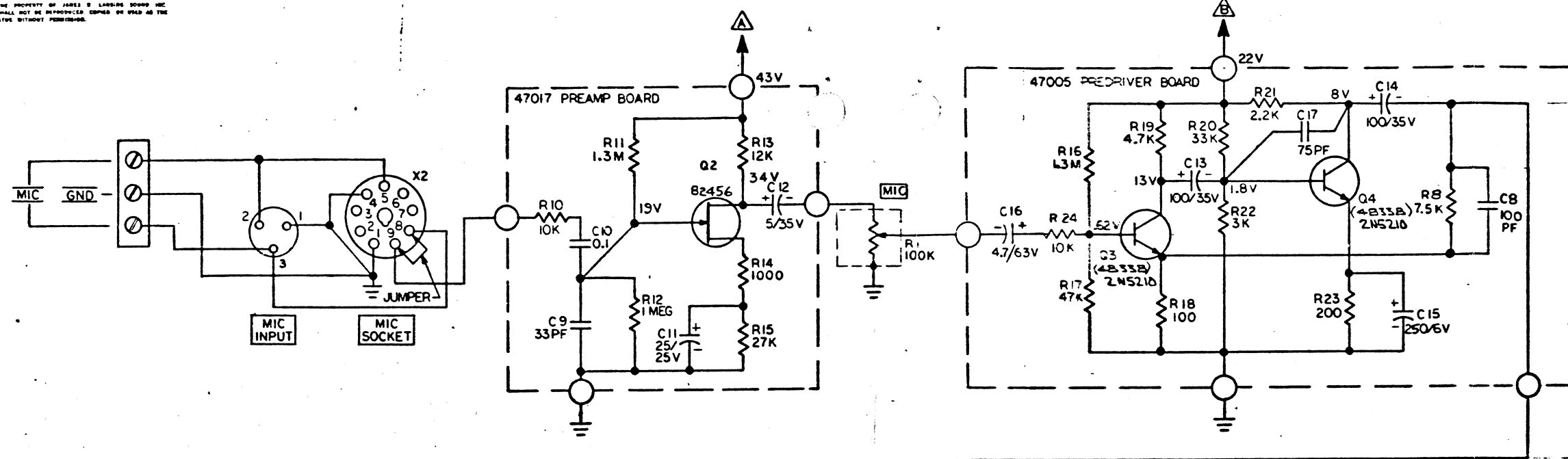
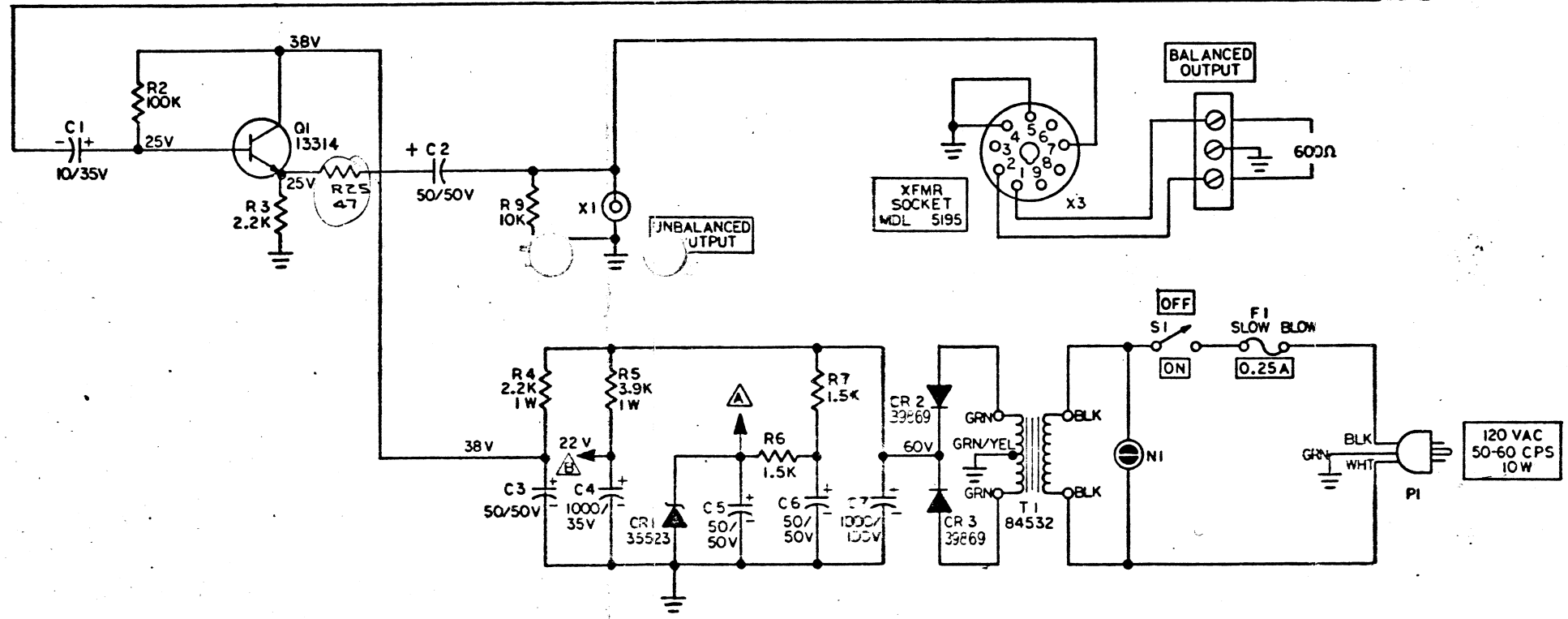


THESE DRAWINGS AND SPECIFICATIONS ARE THE PROPERTY OF JAMES B. LANSING SOUND INC. THEY ARE INTENDED TO STIMULATE CONFIDENCE AND SHALL NOT BE REPRODUCED, COPIED OR USED AS THE BASIS FOR MANUFACTURE OR SALE OF APPARATUS WITHOUT PERMISSION.



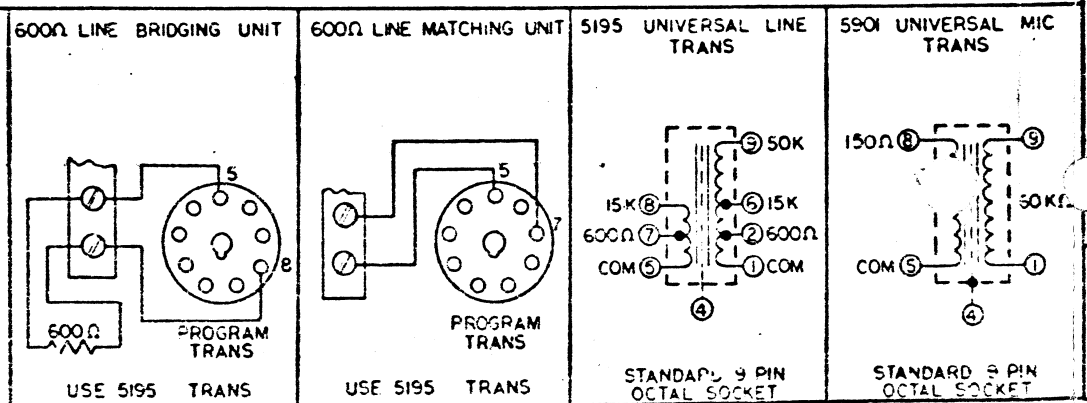
PART NO	DESCRIPTION	QTY
51730	PREDRIVER ASSY	1
47006	MIC PREAMP ASSY	1
53622	CHASSIS ASSY	1
53623	FRONT PANEL ASSY	1
47366	COVER MRD 47363	1
55630	KNOB MRD 52824	1
87076	ANGLE BRACKET	4
89911	SCREW # 6 X 3/8 HEX HD	5
39832	SCREW # 8-32 X 1/2	2
89582	HEX NUT # 8-32	2
12875	LABEL, CAUTION	1



- 6. SEE DWG 47373 REF FOR TEST SPECIFICATIONS.
- 5. APPROVED PRODUCTION SAMPLE WITH CURRENT BILL OF MATERIALS MAINTAINED BY ENG DEPT.
- 4. ALL VOLTAGES ARE POSITIVE TAKEN FROM GROUND.
- 3. J.B.L. RESERVES THE RIGHT TO MAKE MINOR COMPONENT CHANGES WITHOUT NOTICE.
- 2. ALL CAPACITOR VALUES IN MICROFARADS, THOSE OVER 1 MFD ARE POLARIZED ELECTROLYTICS, POLARITY SHOWN.
- 1. ALL RESISTORS IN OHMS, 1/2 WATT, 10%.

NOTES: UNLESS OTHERWISE SPECIFIED

REF DES LAST USED	
C17	Q4
CR3	R25
F1	S1
NI	T1
PI	X3



5101B

REV	DESCRIPTION	DATE	BY	APP'D
1	ISSUED			
2	REVISED			
3	REVISED			
4	REVISED			
5	REVISED			

DESIGNED BY	CHECKED BY	DATE
DRAWN BY	APPROVED BY	
SCALE		

ITEM NO	5101B
DESCRIPTION	MFD ITEM - 5101B
DWG NO	53614
REV	